

Compact Shower Door

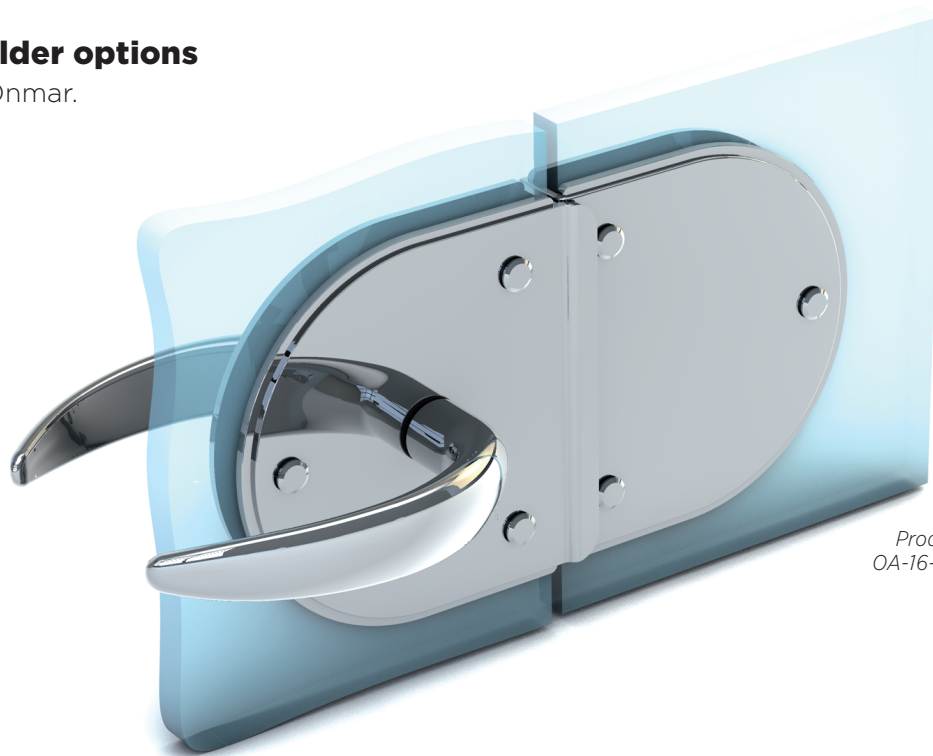
Swing door lock – Glass and interior doors

Modular shower door lock with symmetric design to cover different applications.

- One part number covers all swings
- Designed for thin doors – 8, 10 or 12mm
- Designed for glass/glass and glass/frame applications
- Curved handle design to minimize protrusion
- Simple and quick installation with easy cut out

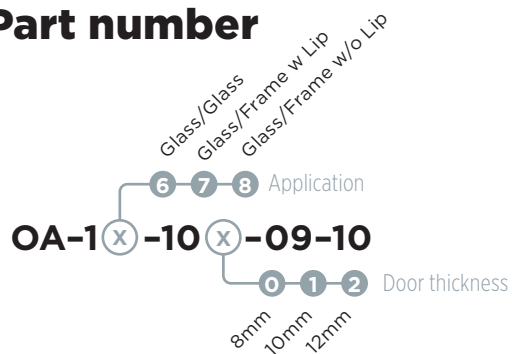
Door holder options

Contact Onmar.



Product shown
OA-16-100-09-10

Part number



COLOR OPTIONS



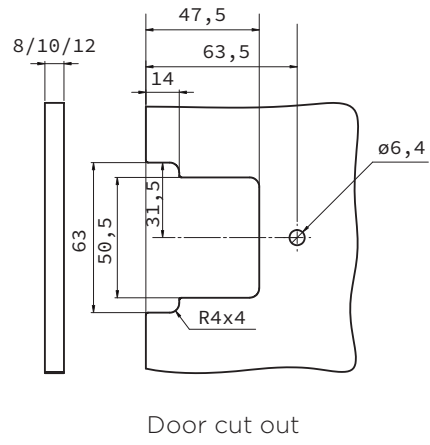
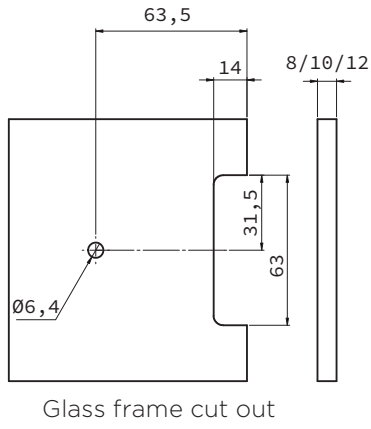
FEATURES



For technical and detailed information please visit

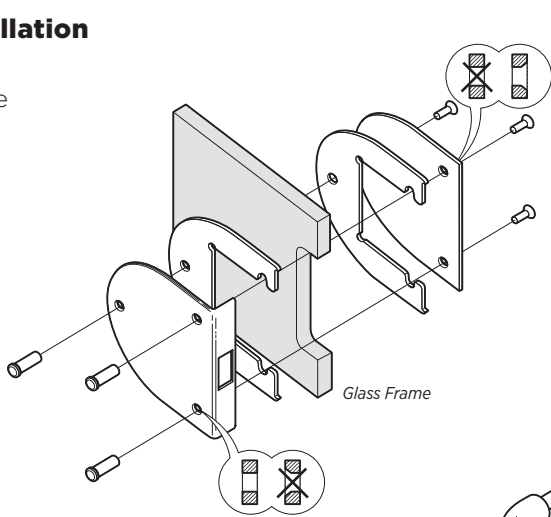
www.onmar.se

Cut out
(mm)

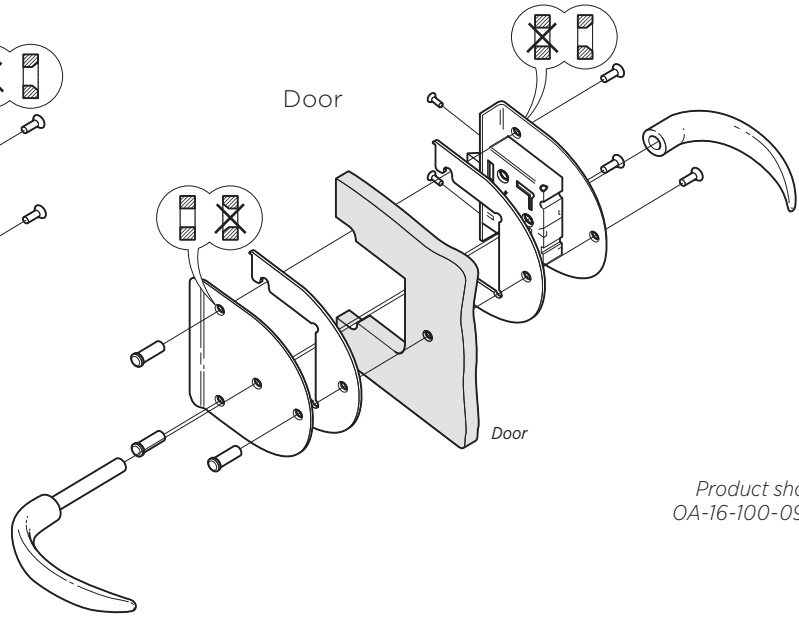


Installation

Frame

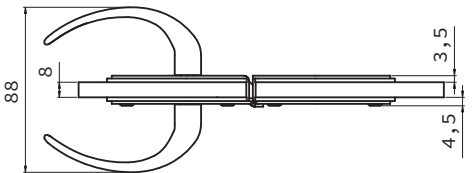
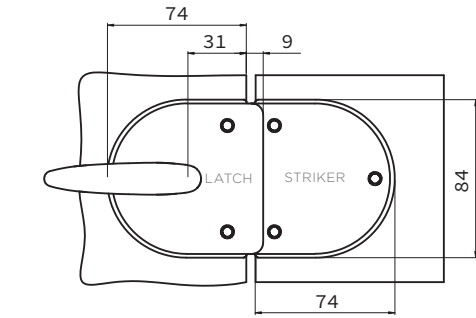


Door

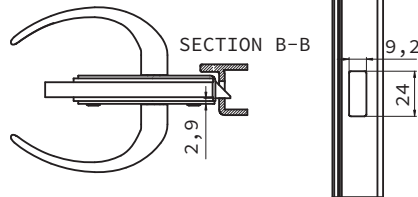
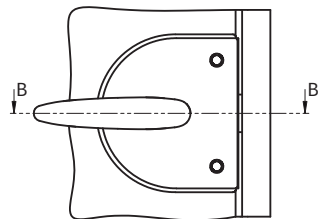


Product shown
OA-16-100-09-10

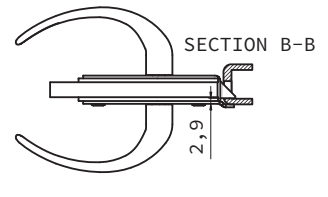
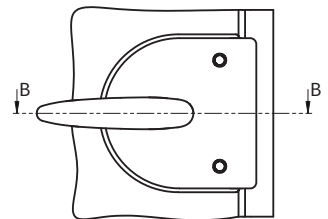
Measurements
(mm)



Glass/Glass



Glass/Frame w Lip



Glass/Frame w/o Lip